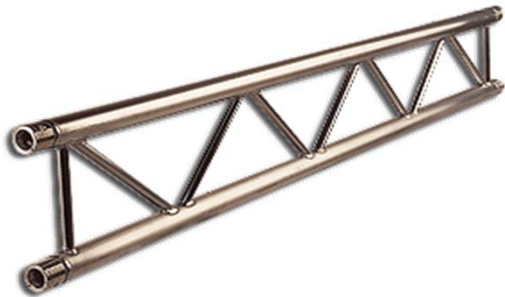
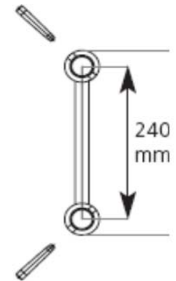


Eurotruss - FD32



Height: 290 mm
 Wide: 50 mm
 Weight: ~3 kg/m

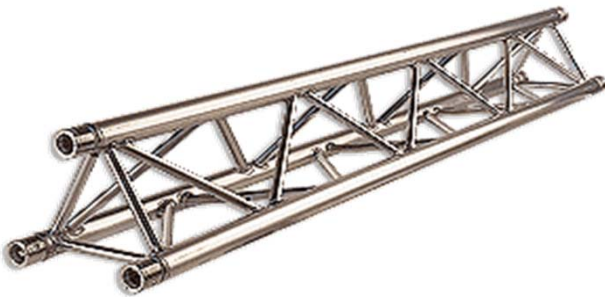


Loadcases

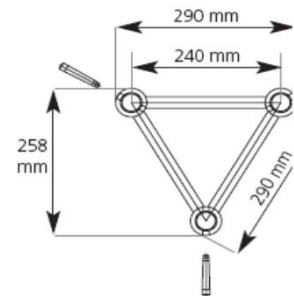
...every 1,1m supp

Lenght (m)	2	3	4	4	5	6
CPL (kg)	338	98	39	506	403	334
Deflection (mm)	1	1	1	11	17	24
UDL (kg/m)	338	98	20	253	161	111
Defection (mm)	1	1	1	13	21	30

Eurotruss - FD33



Height: 258 mm
 Wide: 290 mm
 Weight: ~4,5 kg/m



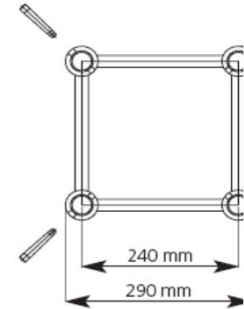
Loadcases

Lenght (m)	4	6	7	8	9	10
CPL (kg)	438	286	240	206	179	156
Deflection (mm)	9	21	29	42	48	60
UDL (kg/m)	219	95	69	53	40	32
Defection (mm)	12	26	36	48	60	73

Eurotruss - FD34



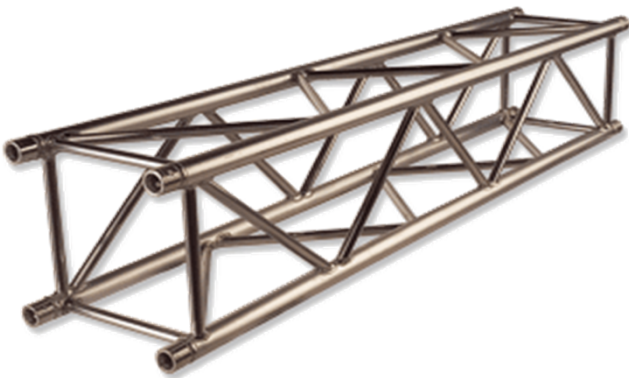
Height: 290 mm
 Wide: 290 mm
 Weight: ~6 kg/m



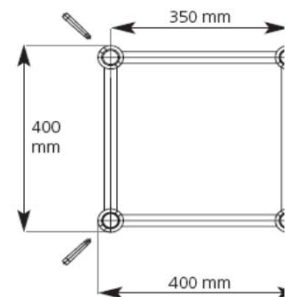
Loadcases

Lenght (m)	4	6	8	10	12
CPL (kg)	950	670	497	385	331
Deflection (mm)	10	25	44	70	105
UDL (kg/m)	460	224	124	80	55
Defection (mm)	12	31	54	88	128

Eurotruss - FD44



Height: 400 mm
 Wide: 400 mm
 Weight: ~7,5 kg/m



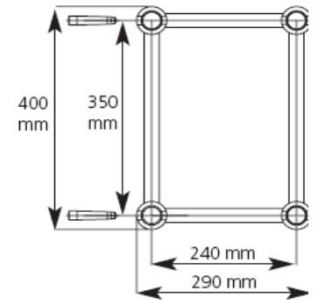
Loadcases

Lenght (m)	5	6	8	10	12
CPL (kg)	1190	990	730	570	470
Deflection (mm)	12	17	31	49	72
UDL (kg/m)	470	330	183	115	78
Defection (mm)	15	21	38	60	87

Eurotruss - XD



Height: 400 mm
 Wide: 290 mm
 Weight: ~9 kg/m



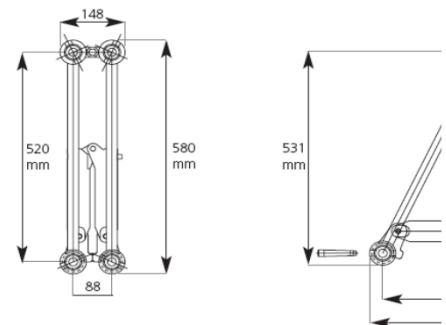
Loadcases XD

Lenght (m)	6	8	10	12	14	16
CPL (kg)	1807	1339	105	862	722	615
Deflection (mm)	21	38	59	86	117	154
UDL (kg/m)	602	335	211	144	103	77
Defection (mm)	26	47	73	106	144	188

Eurotruss - FT



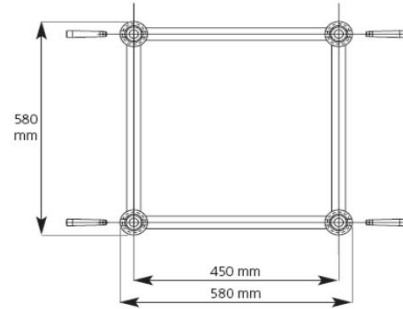
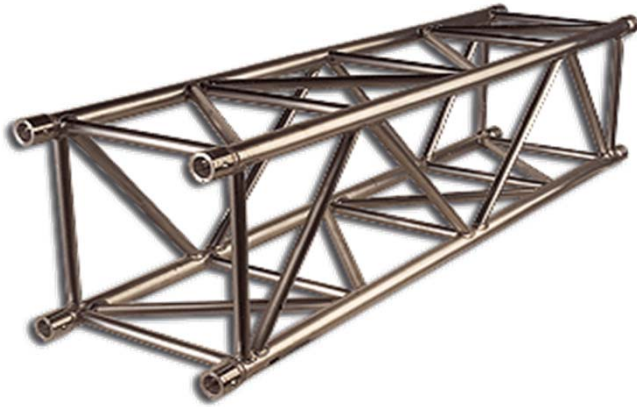
Height: 531 mm
 Wide: 580 mm
 Weight: ~13,5 kg/m



Loadcases

Lenght (m)	8	10	12	14	16	18
CPL (kg)	1850	1450	1200	1005	855	735
Deflection (mm)	22	35	48	70	86	118
UDL (kg/m)	465	293	198	143	107	82
Defection (mm)	28	44	59	86	113	144

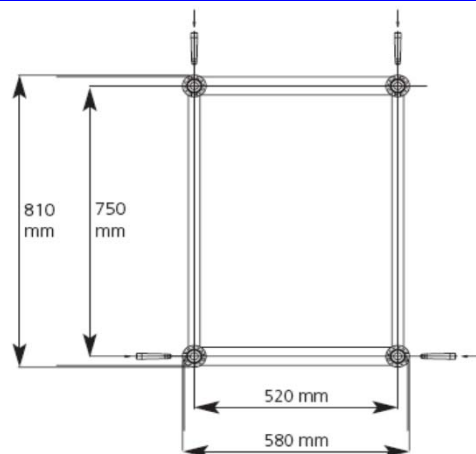
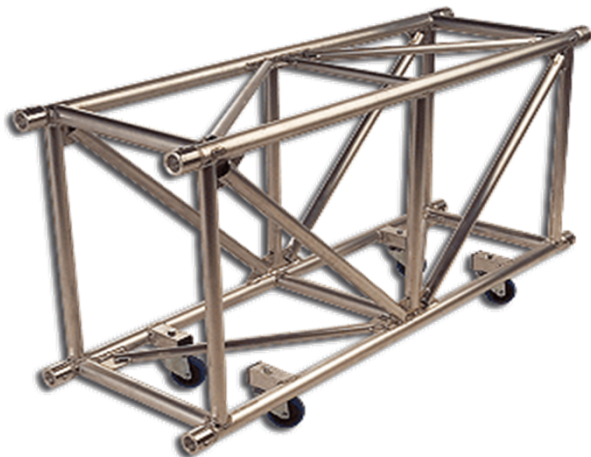
Eurotruss - ST



Loadcases

Lenght (m)	10	12	14	16	18	20
CPL (kg)	1629	1332	1117	951	820	712
Deflection (mm)	43	62	84	111	141	175
UDL (kg/m)	326	222	160	119	91	71
Defection (mm)	53	76	103	135	171	211

Eurotruss - XT

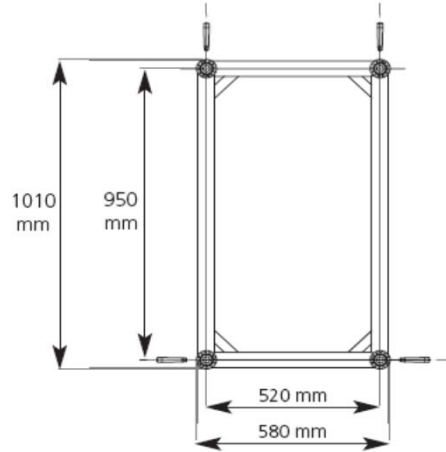


Loadcases

Lenght (m)	12	16	20	22	24	26
CPL (kg)	2234	1604	1210	1061	934	823
Deflection (mm)	37	66	105	128	154	182
UDL (kg/m)	349	201	121	96	78	63

Deflection (mm) 43 81 127 153 182 214

Eurotruss - TT



Loadcases

Lenght (m)	12	16	20	24	28	32
CPL (kg)	4310	3143	2423	1926	1556	1266
Deflection (mm)	29	52	82	119	164	217
UDL (kg/m)	634	393	242	160	111	79
Defection (mm)	31	60	91	124	160	194



Main tube: 50 x 2 mm
 Braces: 20 x 2 mm
 Connection: FD



orted

7	8
284	247
33	43
81	62
41	54



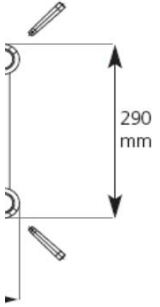
Main tube: 50 x 2mm
 Braces: 20 x 2mm
 Connection: FD



11	12
138	122
73	88
26	21
91	108



Main tube: 50 x 2mm
Braces: 20 x 2mm
Connection: FD



14	16
260	249
141	202
36	31
166	243



Main tube: 50 x 2mm
Braces: 20 x 2mm
Connection: FD



14	16
390	330
99	132
56	42
120	161



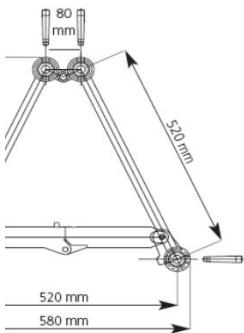
Main tube: 50 x 3mm
Braces: 25 x 3mm
Connection: XD



18	20
529	459
197	245
59	46
238	244



Main tube: 50 x 4mm
Braces: 25 x 3mm
Connection: FT/ST/XT/TT



20	24
640	470
137	214
63	41
176	261



Height: 510 mm
Wide: 510 mm
Weight: ~13,5 kg/m

Main tube: 50 x 4mm
Braces: 30 x 3mm
Connection: FT/ST/XT/TT

22	24
621	543
214	257
56	45
255	303



Height: 810 mm
Wide: 580 mm
Weight: ~20 kg/m

Main tube: 50 x 4mm
Braces: 30(40/50) x 3mm
Connection: FT/ST/XT/TT

28	30
725	637
213	247
52	42

248

285



Height: 1010 mm
Wide: 580 mm
Weight: ~25 kg/m

Main tube: 60 x 5mm
Braces: 50x3mm/ 30x3mm
Connection: FT/ST/XT/TT

<u>36</u>	<u>40</u>
1029	829
279	351
57	41
224	248